

.43 CAL PEPPER ROUND LAUNCHER
HORNET
USER MANUAL



LANCER DEFENSE OFFERS A LIMITED WARRANTY ON ALL REGISTERED PRODUCTS SOLD BY OUR AUTHORIZED DEALERS. THIS LIMITED WARRANTY COVERS DEFECTS IN MATERIAL AND/OR WORKMANSHIP FOR A PERIOD OF 30 DAYS FROM THE DATE OF PURCHASE. PROOF OF PURCHASE MUST ACCOMPANY ANY WARRANTY CLAIM.

MAKE SURE YOUR PURCHASE WAS MADE FROM AN AUTHORIZED DEALER BEFORE REGISTERING YOUR LANCER DEFENSE PRODUCT.

FOR ONLINE REGISTRATION, PLEASE VISIT:
LANCERTACTICAL.COM/WARRANTY-REGISTRATION

LANCERTACTICAL.COM
12140 ALTAMAR PLACE
SANTA FE SPRINGS, CA 90670

CUSTOMER SERVICE
10AM-5PM PST, MON-FRI
(EXCLUDING HOLIDAYS)
(888)279-7776
INFO@LANCERTACTICAL.COM

LANCER DEFENSE IS A DBA SUBSIDIARY OF LANCER TACTICAL.

SAFE HANDLING

A LAUNCHER IS NOT A LETHAL WEAPON. PEPPER ROUNDS AND PEPPER SPRAYS ARE MADE FROM CHEMICALS THAT CAN IRRITATE THE EYES, MOUTH, AND NOSE UPON CONTACT. HOWEVER, IF SHOT CONTINUOUSLY, THEY CAN MAKE IT QUITE DIFFICULT TO BREATHE.

WARNING: NEVER CARRY YOUR MARKER/LAUNCHER UNCASSED WHEN NOT ON A PLAYING FIELD. THE GENERAL PUBLIC AND LAW ENFORCEMENT PERSONNEL MAY NOT BE ABLE TO DISTINGUISH BETWEEN A MARKER/LAUNCHER AND A FIREARM. FOR YOUR OWN SAFETY, ALWAYS CARRY YOUR MARKER/LAUNCHER IN A SUITABLE CASE OR IN THE BOX IN WHICH IT WAS SHIPPED.

- READ AND UNDERSTAND THIS ENTIRE MANUAL BEFORE LOADING, ATTACHING A PROPELLANT SOURCE, OR IN ANY WAY ATTEMPTING TO OPERATE.
- TREAT EVERY MARKER/LAUNCHER AS IF IT WERE LOADED.
- NEVER LOOK DOWN THE BARREL.
- KEEP IN SAFE MODE UNTIL READY TO SHOOT.
- KEEP YOUR FINGER OFF THE TRIGGER UNTIL READY TO SHOOT.
- NEVER AIM AT ANYTHING YOU DO NOT INTEND TO SHOOT.
- ALWAYS REMOVE ROUNDS AND THE AIR SOURCE BEFORE DISASSEMBLY.
- AFTER REMOVING THE AIR SOURCE, POINT BARREL IN SAFE DIRECTION AND DISCHARGE UNTIL DEGASSED.
- FOLLOW WARNINGS LISTED ON THE AIR SOURCE FOR HANDLING AND STORAGE.
- DO NOT INSTALL COMPRESSED AIR OR LOAD YOUR SCORPION UNTIL YOU FEEL COMPLETELY CONFIDENT WITH YOUR ABILITY TO OPERATE SAFELY.
- KEEP YOUR FINGER OFF THE TRIGGER; POINT THE MUZZLE OF THE MARKER IN A SAFE DIRECTION AT ALL TIMES. KEEP THE MARKER/LAUNCHER DEACTIVATED UNTIL READY TO OPERATE.

⚠ WARNING!

READ AND FOLLOW THIS MANUAL BEFORE USING. PEPPER ROUND LAUNCHERS ARE NOT TOYS.

CONSIDERING THAT A LAUNCHER USES A SIMILAR FIRING METHOD, A LAUNCHER CAN INTERCHANGE WITH OTHER TYPES OF AMMUNITION THAT HAVE THE SAME (.43) CALIBER SIZE, SUCH AS WATER-SOLUBLE PAINTBALL, WATER BALLS, AND RUBBER BALLS.

FOR THE SAKE OF CLARIFICATION, THIS MANUAL WILL BE USING THE FOLLOWING TERMINOLOGY: WHEN THE HORNET IS LOADED WITH SELF-DEFENSE AMMUNITION (PEPPER ROUNDS AND RUBBER BALLS), IT WILL BE REFERRED AS A LAUNCHER. WHEN THE HORNET IS LOADED WITH OTHER TYPES OF ROUNDS, A MARKER.

BEFORE PRESSURIZING

- IF USING AS A MARKER, CHECK TO MAKE SURE THAT YOU AND ANYONE WITHIN RANGE ARE WEARING EYE PROTECTION DESIGNED SPECIFICALLY FOR PAINTBALL.
- DOUBLE CHECK THAT ALL SCREWS ARE TIGHTENED AND NO PARTS ARE LOOSE BEFORE INSTALLING CO₂ CARTRIDGE.
- MAKE SURE THERE ARE NO PEPPER ROUNDS/PAINTBALL IN THE LAUNCHER/MARKER.

NOTE: REMEMBER CO₂ CARTRIDGES CAN BE EXTREMELY DANGEROUS IF MISUSED OR IMPROPERLY HANDLED. USE ONLY CYLINDERS MEETING D.O.T, TC, OR REGIONALLY DEFINED SPECIFICATIONS. DO NOT PERFORM ANY WORK ON THE CO₂ CARTRIDGE.

⚠ WARNING!

DO NOT UNSCREW THE CO₂ PUNCTURING CAP WHILE THE LAUNCHER IS PRESSURIZED! THE 8-GRAM CO₂ CYLINDER MAY SHOOT OUT BY DOING SO AND MAY CAUSE INJURY. ALWAYS KEEP THE CAP IS SCREWED IN TIGHTLY WHEN THE CO₂ CYLINDER IS PRESSURIZED!

IMPORTANT: IF THE HORNET BEGINS TO LEAK GAS, KEEP EXPOSED SKIN AWAY FROM ESCAPING GAS TO AVOID INJURY.

⚠ WARNING! LAUNCHERS/MARKERS ARE NOT TOYS

- MISUSE MAY RESULT IN SERIOUS BODILY INJURY OR DEATH!
- PROPER EYE PROTECTION ARE ADVISED TO BE WORN BY THE USER AND ALL PERSONS WITHIN RANGE.
- NOT FOR SALE TO PERSONS UNDER 18 YEARS OF AGE.
- MUST BE 18 YEARS OF AGE OR OLDER TO OPERATE OR HANDLE A LAUNCHER AND ACCESSORIES WITHOUT ADULT SUPERVISION.
- READ AND UNDERSTAND ALL CAUTIONS, WARNINGS, AND OPERATING MANUALS BEFORE USE.
- DO NOT AIM MARKER/LAUNCHER AT EYES OR HEAD OF PEOPLE, OR AT ANIMALS THAT ARE NOT IN A STAGE OF ATTACK.

ANY TAMPERING WITH THE UNIT VOIDS YOUR WARRANTY. THERE ARE NO CONSUMER SERVICEABLE PARTS INSIDE THE UNIT. THE USE OF NON FACTORY AUTHORIZED COMPONENTS WITHIN THIS PRODUCT MAY CAUSE A CRITICAL FAILURE, FIRE OR SHOCK HAZARD.

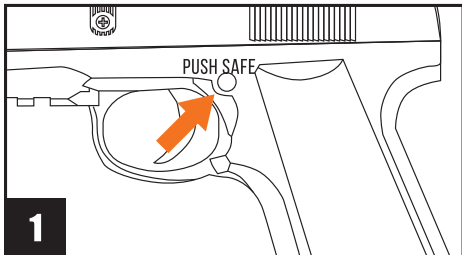
IN NO EVENT SHALL SELLER BE LIABLE FOR ANY DIRECT, INCIDENTAL OR CONSEQUENTIAL DAMAGES OF ANY NATURE, OR LOSSES OR EXPENSES RESULTING FROM ANY DEFECTIVE PRODUCT OR THE USE OF ANY PRODUCT.

⚠ CALIFORNIA PROP 65 WARNING

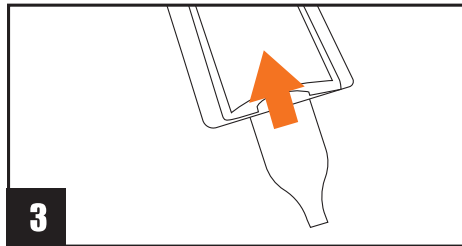
THIS PRODUCT MAY EXPOSE YOU TO CHEMICALS KNOWN TO THE STATE OF CALIFORNIA TO CAUSE CANCER AND BIRTH EFFECTS OR OTHER REPRODUCTIVE HARM.

FOR MORE INFORMATION GO TO WWW.P65WARNINGS.CA.GOV. (CALIFORNIA LAW REQUIRES THIS WARNING TO BE GIVEN TO CUSTOMERS IN THE STATE OF CALIFORNIA.)

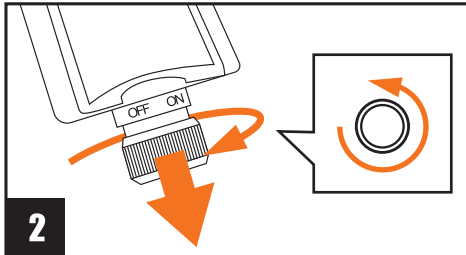
CO₂ CARTRIDGE INSTALLATION (8-GRAM)



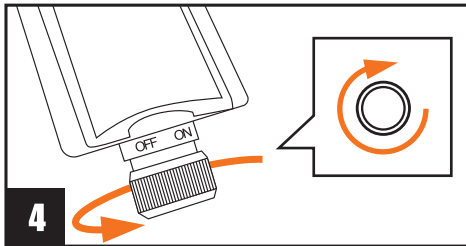
SET THE HORNET IN SAFE MODE. WHEN SAFETY IS ON, THE BUTTON WILL BE FULLY DEPRESSED ON THE LEFT SIDE. WHEN THE SAFETY IS OFF, THE RIGHT SIDE WILL BE DEPRESSED.



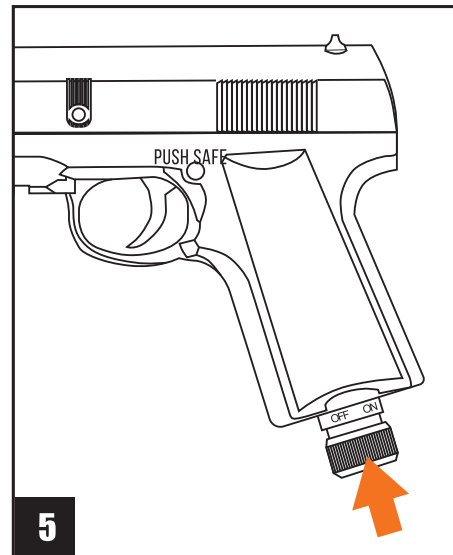
CLEAN THE SMALL END OF A FULL 8-GRAM CO₂ CARTRIDGE. INSERT THE CARTRIDGE INTO THE HOLDER WITH THE POINTED TIP TOWARDS THE BOTTOM.



BELOW THE PISTOL GRIP, TURN THE CO₂ PUNCTURING CAP COUNTER-CLOCKWISE TO OPEN.

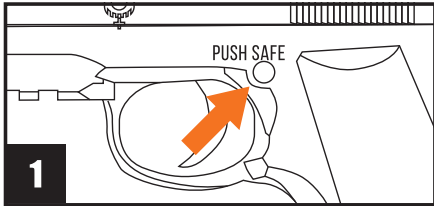


GENTLY PLACE THE CO₂ PUNCTURING CAP AND TURN CLOCKWISE UNTIL IT STOPS. THIS WILL STORE THE CANISTER WITHOUT LOSING ANY CO₂ GAS UNTIL READY FOR USE.

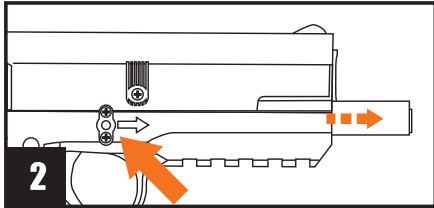


WHEN READY FOR USE, TAP THE BOTTOM OF THE CAP WITH THE PALM OF YOUR HAND UNTIL IT BOTTOMS OUT INTO THE CO₂ HOUSING. THIS WILL PUNCTURE THE CO₂ CARTRIDGE.

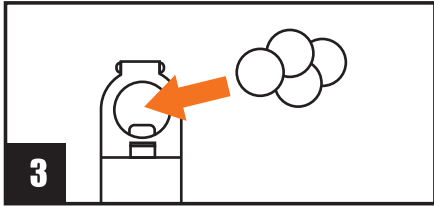
LOADING THE MAGAZINE



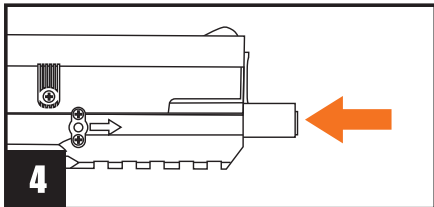
SET THE HORNET IN SAFE MODE. WHEN SAFETY IS ON, THE BUTTON WILL BE FULLY DEPRESSED ON THE LEFT SIDE. WHEN THE SAFETY IS OFF, THE RIGHT SIDE WILL BE DEPRESSED.



PUSH AND RELEASE THE MAGAZINE RELEASE BUTTON, LOCATED ON THE RIGHT SIDE OF THE HAND GRIP, AND THE MAGAZINE EJECTS OUT THE FRONT UNDER THE BARREL.



KEEPING THE MAGAZINE VERTICAL, INSERT ONE ROUND AT A TIME. THE MAGAZINE HOLDS FOUR 0.43 CALIBER ROUNDS. ROUNDS ARE SPRING-LOADED AND LOCKED IN PLACE TO PREVENT EXITING THE MAGAZINE.

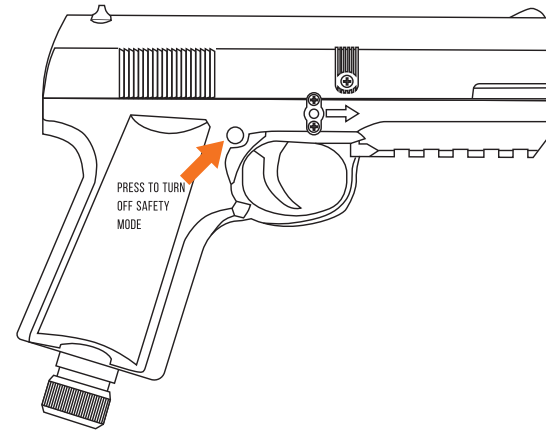


GENTLY SLIDE THE MAGAZINE BACK INTO THE PISTOL, MAKING SURE THE MAGAZINE IS FACING THE CORRECT DIRECTION. DO NOT SLAM THE MAGAZINE INTO THE PISTOL.

USE CAUTION WHEN INSERTING THE MAGAZINE; IF THE ROUNDS ARE ACCIDENTALLY RELEASED AND BROKEN, YOU COULD EXPOSE YOURSELF TO CHEMICAL LEAKAGE.

FIRING

- ALWAYS KEEP YOUR PISTOL POINTED IN A SAFE DIRECTION. MAKE SURE THE SAFETY IS ON BEFORE LOADING.
- INSERT THE MAGAZINE, FULLY-LOADED WITH 4 ROUNDS, THEN PRESSURIZE THE HORNET.
- AIM THE PISTOL IN A SAFE DIRECTION.
- SET THE SAFETY TO THE OFF POSITION, WHERE THE RED DOT IS VISIBLE.
- AIM THE PISTOL AT THE TARGET, USING THE SIGHTS ON THE TOP TO ASSIST AIMING.
- PLACE YOUR FINGER ON THE TRIGGER AND PULL WITH A SMOOTH SQUEEZING MOTION.
- UNLOAD ALL ROUNDS BEFORE REMOVING THE MAGAZINE.



CLEANING

BEFORE PLACING THE HORNET AWAY IN STORAGE, PREPARE BY CLEANING THOROUGHLY. THIS WILL INCREASE THE LIFE OF THE PRODUCT, AND ASSURE OPTIMUM PERFORMANCE FOR FUTURE USE.

1. BEFORE CLEANING, BE SURE NO ROUNDS REMAIN IN THE PISTOL AND/OR MAGAZINE. "DRY FIRE" TO BE CERTAIN THE BREECH IS CLEARED.
2. UNLOAD THE MAGAZINE AND COMPRESSED AIR FROM THE HORNET, THEN USE A WATER-DAMPENED CLOTH TO WIPE OFF RESIDUE, DIRT, AND DEBRIS FROM THE EXTERIOR OF THE PISTOL.
3. DO NOT USE ANY PETROLEUM-BASED OR AEROSOL PRODUCTS/CLEANERS, AS THEY CAN DAMAGE O-RINGS AND PLASTIC COMPONENTS.
4. CLEAN THE PISTOL SLIDE BY USING A RAG TO SWAB UNTIL FREE OF RESIDUE. A PAINTBALL-SPECIFIC BARREL SWAB IS VERY USEFUL TO ASSIST IN THIS.
5. IF NECESSARY, REMOVE THE SLIDE TO CLEAN THE INTERIOR.
6. ONCE THE SLIDE IS FREE, CLEAN ANY RESIDUE IN THE BARREL WHERE THE MAGAZINE MEETS THE BREECH.

NOTE: BE SURE TO DRY THOROUGHLY AS ANY METAL COMPONENTS MAY RUST. A HAIR DRYER ON A LOW SETTING CAN ASSIST IN THE DRYING PROCESS.

SPECIFICATIONS

WEIGHT	400G
DIMENSIONS	185 X 142 X 33 MM
VELOCITY	380 FPS
EFFECTIVE DISTANCE	30M
PROJECTILE SUPPLY	4-SHOT MAGAZINE
SHOOTING MODE	SINGLE SHOT
POWER	8G CO ₂ CYLINDER
PROJECTILE DIM	11MM

